



# Commercial generator set Quiet Gasoline™ Series QG 5800 EFI



## Features and benefits

- EFI provides improved hot and cold start capability
- Quietest and lowest vibration generator set in its class
- Integrated housing design
- Enclosed muffler for ease of installation
- Self-diagnostic capability to simplify troubleshooting
- Runs two ACs
- Digital regulation for voltage stability as loads change
- Electronic governor for voltage stability and frequency control
- 2-year limited warranty, 5-year drive warranty

## Weight, size and sound level

**Weight:** 290 lbs (132 kg)

**Size:** Length 33.6 in (853 mm), width 22.2 in (563 mm), height 16.7 in (425 mm)

**Sound:** 68 dB(A) at 10 ft (3 m), typical installation, full load

## Models and ratings

| Model          | Fuel     | Hz | Watts | Voltage | Amps | PF  | Phase | Circuit breaker |
|----------------|----------|----|-------|---------|------|-----|-------|-----------------|
| 5.8 HGJAD-2100 | Gasoline | 50 | 5800  | 230     | 25.2 | 1.0 | 1     | 1 pole, 25 A    |

- Ratings apply up to 3000 ft (914 m) altitude, 85° F (29.4° C).
- Maximum power capability decreases 3.5% for each 1000 ft (305 m) above sea level and 1% for each 10° F (5.5° C) increase in ambient\*\* temperature above 85° F (29° C).
- Ratings are at intermittent power output.
- + EFI generator sets require a chassis-specific fuel system kit. See F-1106, Cummins Onan Commercial Mobile Accessories and Service Support Catalog.
- \* Sound levels may be quieter based on generator installation.
- \*\* Ambient is defined as the air temperature measured at the cooling air inlet to the set.

## Standard features

- Electronic fuel Injection (EFI) for clean, smooth running under all conditions
- Electronic governor
- Cummins Onan OHV engine
- Pressurized thru flow cooling system
- 4-point mounting system with coil spring vibration isolators
- Universal mounting tray with structural capability to support the generator set in commercial mobile applications
- Integral USDA Forest Service-approved spark-arrestor muffler
- Integral control box
- Instant one-touch stop switch
- Electronic ignition
- Self diagnostic capability
- Hour meter
- Battery charging - 5 A
- Remote disable/continuous stop
- Start and run without AC output - engine run only
- Enclosed muffler provides noise reduction and ease of installation
- Sound-attenuated housing
- Waterproof remote connector
- Heavy-duty solenoid shift starter
- Long-life fuel filter
- Spin-on, full-flow oil filter
- Low oil pressure protection
- Over/under speed protection
- Low power factor field over current protection
- Digital voltage regulation
- 10 ft generator set output leads

## Engine details

**Model:** Cummins Onan OHV EH65V gasoline engine  
**Design:** 4-cycle, OHV, 90-degree V-twin  
**Cylinders:** 2  
**Bore:** 80 mm  
**Stroke:** 65 mm  
**Displacement:** 39.8 in<sup>3</sup> (653 cm<sup>3</sup>)  
**Compression ratio:** 8:1  
**Oil capacity:** 2.0 qt (1.9 L) including filter  
**Power (max):** At 2400 r/min: 11.6 hp  
**Cooling:** Centrifugal blower, generator set mounted for high effectiveness, pressurized system, vertical flow  
**Cooling air volume:** 50 Hz: 500 ft<sup>3</sup>/min (14.2 m<sup>3</sup>/min) at 2400 r/min. Air flow includes engine, generator set and control cooling air flow  
**Fuel system:**

- Replaceable dry element air cleaner
- Gasoline side-draft throttle body.
- Remote mount electronic fuel pump with positive fuel shutoff (45 psi), maximum fuel lift 3 ft (0.9 m)
- Combustion air volume: 50 Hz: 17.2 ft<sup>3</sup>/min (0.53 m<sup>3</sup>/min) at 2400 r/min

**Starting system:** Remote, 12 V, negative ground; automotive type starter with steel pinion and ring gear, automatic start disconnect, connector for remote start cable, start-stop rocker switch mounted on set control  
**Ignition system:** Electronic magneto type with resistor plugs  
**Lubrication:** Full pressure positive displacement lube oil pump, spin-on, full-flow lube oil filter, low oil pressure shutdown, dipstick  
**Cylinder crankcase:** Alloy aluminum with iron cylinder liners cast into the block, aluminum oil base  
**Cylinder head:** Aluminum, OHV, removable

## Typical fuel consumption

| Gasoline, Gal/hr (L/hr)* | No load    | Half load  | Full load  |
|--------------------------|------------|------------|------------|
| <b>5.8HGJAD</b>          | 0.35 (1.3) | 0.60 (2.3) | 0.95 (3.6) |

\* Represents minimums

## Alternator details

**Design:** Cummins Onan, revolving field, AC, 2-pole self-excited, two bearing design

**Insulation system and temperature rise:** Meets requirements of NEMA MG-1 and CSA C22.2, Std. 100 Motors and Generators

**Cooling:** Direct drive centrifugal blower, cast aluminum housing for excellent heat transfer

**Rotor:** Laminated electrical steel assembly press-fitted to shaft, balanced; heavy insulated copper wire windings; optimized air gap for improved waveform and motor starting; Class 200 magnet wire

**Stator:** Laminated electrical steel assembly, skewed for improved waveform; Class 200 quadrature wire with 70% more insulation over comparable generator sets

**Excitation:** Capped, digital voltage regulation

**DC brushes:** Electrographic; long life

**Bearing:** Double-sealed pre-lubricated ball bearings

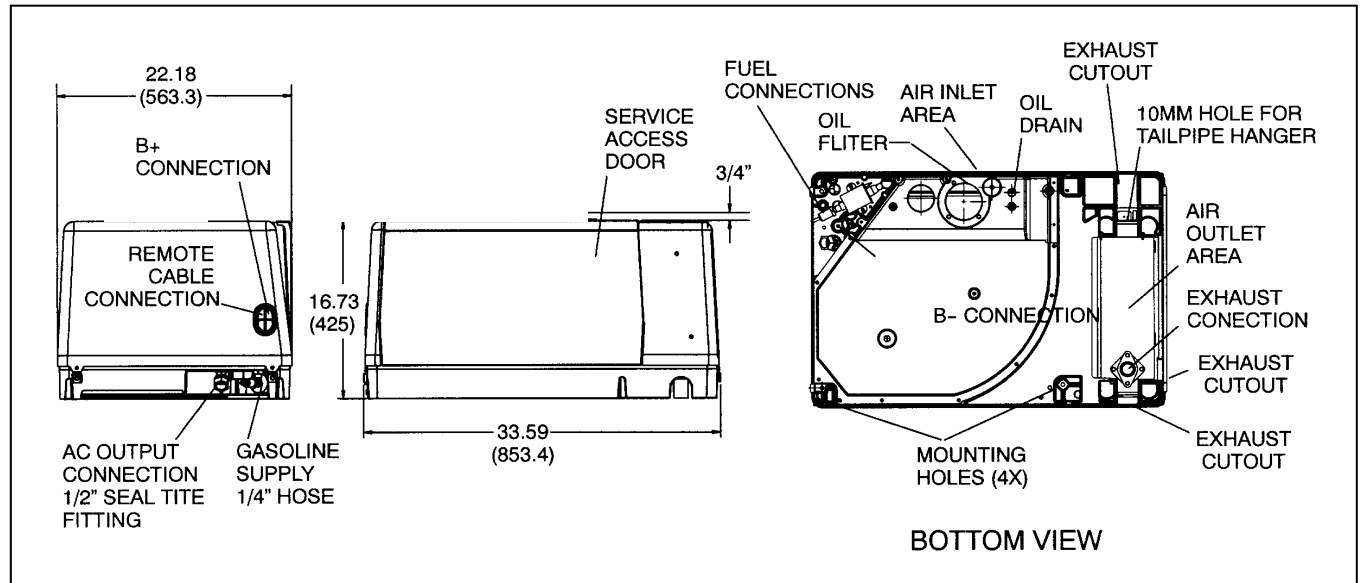
|                             |                   |      |               |      |
|-----------------------------|-------------------|------|---------------|------|
| <b>Frequency regulation</b> | No load/Full load | 1.7% | Constant load | 1.7% |
| <b>Voltage regulation</b>   | No load/Full load | 2.0% | Constant load | 1.7% |

Performance you rely on.™

©2012 Cummins Power Generation Inc. | NAS-5592a-EN (10/12)

cumminsonan.com

## Basic dimensions



**Note:** This outline drawing is provided for general reference only and is not intended for design or installation. For more information see Operation and Installation manuals and wiring diagram from your distributor/dealer.

## Options and accessories

- Remote control start/stop rocker switch (P/N 300-5331)
- Remote control with start/stop switch and hour meter (P/N 300-5332)
- Remote control with start/stop switch and DC voltmeter (P/N 300-5333)
- Remote control plug and wire harness 10 ft (P/N 338-3489-01), 30 ft (P/N 338-3489-02)
- Remote harness (P/N 300-4946) pigtail harness to connect to sealed remote connector
- Under floor mounting kit (P/N 405-6699)
- Installation template (P/N 539-2057)
- Tailpipe kit 22 in (P/N 155-3481-01), 26 in (P/N 155-3481-02)
- Exhaust tube, straight with flanged end 3 in (P/N 155-2610), 7 in (P/N 155-2424), 12.5 in (P/N 155-2610-01)
- Exhaust elbow, tight radius 90° to route exhaust through cutouts (P/N 155-3439)
- EFI generator sets require a chassis-specific fuel system kit. See F-1106, Cummins Onan Commercial Mobile Accessories and Service Support Catalog

## Standards and testing

- Tested at extremes of temperature -20 °F to 120 °F for starting and operation
- Tested installed
- Tested with commercial loads
- Tested in high humidity conditions
- Tested in salt spray conditions
- Tested in heavy airborne dust conditions
- Field test program
- This generator set was designed and manufactured in facilities certified to ISO 9001
- CE certified



## Warranty policy

The Cummins Onan limited warranty covers virtually everything except routine maintenance for the first two years you own your generator set, or the first 2,000 hours of operation, whichever comes first; five years on drive system. In addition, it includes a free 90-day adjustment policy, which provides that Cummins Inc. will make minor adjustments to your new generator set during the first three months you own it - free of charge!

**⚠ WARNING:**

Do not use this generator set on a boat. Such use may violate U.S. Coast Guard regulations, and can result in severe personal injury or death from fire, explosion, electrocution, or carbon monoxide poisoning.

**⚠ WARNING:**

Back feed to a utility system can cause electrocution and/or property damage. Do not connect to any building electrical except through an approved device or after building main breaker is open.

## After sale support

### Largest distributor/dealer support network

Cummins Onan generator sets are supported by the largest and best trained worldwide certified distributor/dealer network in the industry. This network of knowledgeable Cummins Onan distributor/dealers will help you select and install the right generator set and accessories to meet the requirements of your specific application. This same network offers a complete selection of commonly used generator set maintenance parts, accessories and products plus manuals and specification sheets. Plus, they can answer your questions regarding proper operation, maintenance schedules and more.

**Manuals:** Operation and installation manuals ship with the generator set. To obtain additional copies or other manuals for this model, see your Cummins Onan distributor/dealer and request the following manual numbers: Operation (A035D007), Installation (A035D003), Parts (0983-0202), Service (A035D011).

To easily locate the nearest Cummins Onan distributor/dealer in your area, or for more information, contact us at 1-800-888-6626 (or 763-574-5000), or visit [www.cumminsonan.com](http://www.cumminsonan.com).

**Contact your distributor/dealer for more information.**

# Cummins Onan

## Cummins Power Generation

1400 73rd Ave. NE  
Minneapolis, MN 55432 USA  
Phone 1 763 574 5000  
Toll-free 1 800 888 6626  
Fax 1 763 574 5298  
Email [www.cumminsonan.com/contact](http://www.cumminsonan.com/contact)

## Performance you rely on.™

©2012 Cummins Power Generation Inc. All rights reserved.

Cummins®, Onan®, the "C" logo, Performance you rely on.™ and Quiet Diesel™ are servicemarks, trademarks and/or registered trademarks of Cummins Inc. Other company, product, or service names may be trademarks or service marks of others.

Specifications are subject to change without notice.

NAS-5592a-EN (10/12)



[cumminsonan.com](http://cumminsonan.com)